

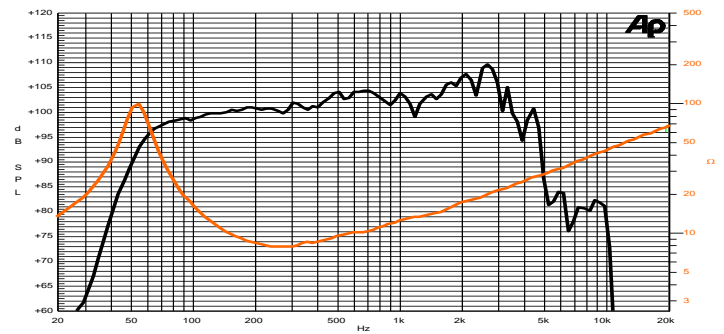
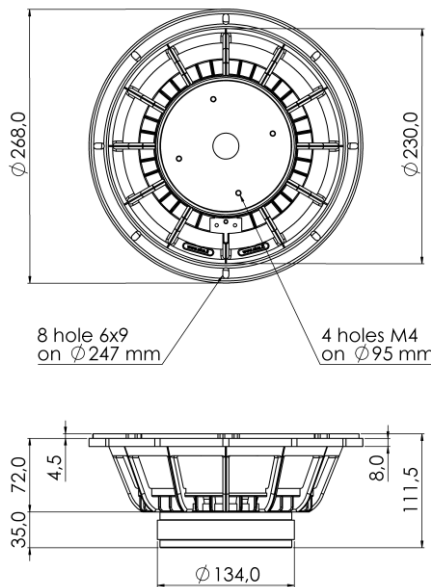
10 C 2 CP 8Ω

10" | 400 W

Code Z006781

Coaxial

- 2" voice coil Kapton former
- DAR** Cloth surround with Double Asymmetric Rolls Technology (DAR)
- 1" throat diameter for Compression Driver
- Front-loaded perforated horn to improve the coupling with the woofer
- Ferrite Magnet Circuit
- Possibility to use different Compression Drivers
- 96.9 dB sensitivity
- Frequency Range 55-3500 Hz



Frequency Response on 35 Lt @ 60 Hz Vented Box @ 1W, 1m
Free Air Impedance

General Specifications

Nominal Diameter	268 mm (10")
Nominal Impedance	8 Ω
Rated Power AES ⁽¹⁾	200 W
Continuous Program Power ⁽²⁾	400 W
Sensitivity @ 1W/1m ⁽³⁾	96.9 dB
Voice Coil Diameter	50 mm (2")
Voice Coil Winding Depth	14 mm
Magnetic Gap Depth	8 mm
Flux Density	1.08 T
Magnet Weight	1100 g
Net Weight	3.5 kg

Thiele & Small Parameters ⁽⁴⁾

Re	6.2 Ω	Fs	50.0 Hz
Qms	4.71	Qes	0.33
Qts	0.31	Mms	27.3 g
Cms	371 μm/N	Bxl	12.70 Tm
Vas	63.2 l	Sd	346.4 cm ²
X max ⁽⁵⁾	+/-4.0 mm	X var ⁽⁶⁾	+/-7.0 mm
ηo	2.31 %	Le (1kHz)	0.81 mH

Constructive Characteristics

Magnet	Ferrite
Basket Material	Aluminium Die-Cast
Voice Coil Winding Material	Copper
Voice Coil Former Material	Kapton
Cone Material	Paper
Cone Treatment	No
Surround Material	Treated Cloth
Dust Dome Material	None

Mounting Information

Overall Diameter	268 mm
Baffle Cutout Diameter	232 mm
Mounting Holes	8 holes 6x9 on ø247 mm
Total Depth	111.5 mm
Throat Diameter for Compression Driver	25.4 mm
Compression Driver Mounting Holes	4 holes M4 on ø95 mm

(1) Rated Power measured with 2-hour test with pink noise signal, 6dB crest factor, loudspeaker in free air, power calculated on rated Zmin. (2) Power on Continuous Program is defined as 3dB greater than the Rated Power. (3) Calculated by Thiele & Small parameters, for SPL average in box refer to frequency response. (4) Thiele & Small parameters measured with laser system after preconditioning test. (5) Measured with respect to a THD of 10%. (6) Value corresponding to a decay of the Force Factor, or Compliance, or both, equal to the 50% of the small signal value. (7) Drawing dimensions: mm.