

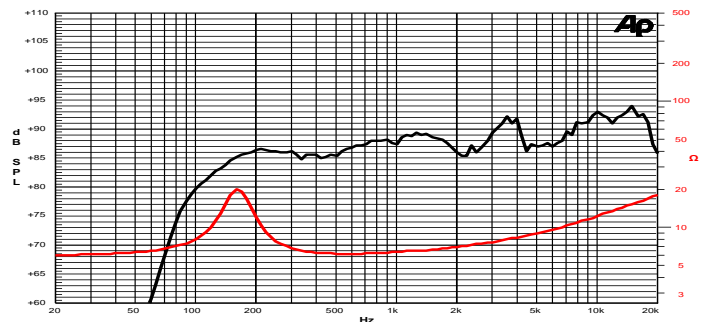
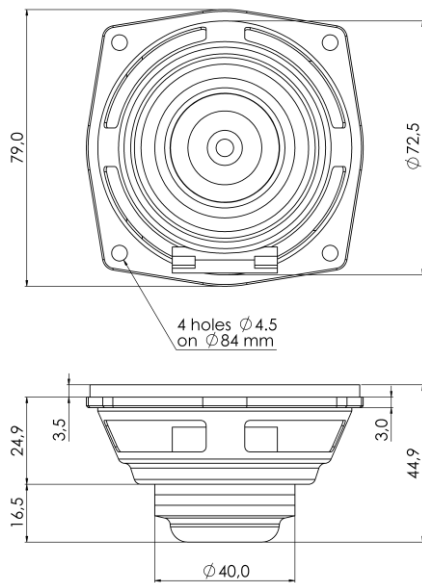
## 3 L 0,8 SL 8Ω

3" | 40 W

Code Z000900

Professional

- 0,8" voice coil Epotex former
- Neodymium Magnet Circuit
- 86.4 dB sensitivity
- Frequency Range 150-20000 Hz



Frequency Response on 5.5 Lt @ 110 Hz Vented Box @ 1W, 1m  
Free Air Impedance

### General Specifications

Nominal Diameter	80 mm (3")
Nominal Impedance	8 Ω
Rated Power AES <sup>(1)</sup>	20 W
Continuous Program Power <sup>(2)</sup>	40 W
Sensitivity @ 1W/1m <sup>(3)</sup>	86.4 dB
Voice Coil Diameter	20 mm (0,8")
Voice Coil Winding Depth	4 mm
Magnetic Gap Depth	3 mm
Flux Density	1.30 T
Magnet Weight	16 g
Net Weight	0.1 kg

### Thiele & Small Parameters<sup>(4)</sup>

$R_e$	5.5 Ω	$F_s$	145 Hz
$Q_{ms}$	4.92	$Q_{es}$	1.28
$Q_{ts}$	1.01	$M_{ms}$	2.0 g
$C_{ms}$	602 μm/N	$B_{xl}$	2.80 Tm
$V_{as}$	0.8 l	$S_d$	30.2 cm <sup>2</sup>
$X_{max}^{(5)}$	+/- 1.5 mm	$X_{var}^{(6)}$	+/- 2.5 mm
$\eta_0$	0.18 %	$L_e$ (1kHz)	0.11 mH

### Constructive Characteristics

Magnet	Neodymium
Basket Material	Pressed Sheet Steel
Voice Coil Winding Material	Copper
Voice Coil Former Material	Epotex
Cone Material	Paper
Cone Treatment	No
Surround Material	Treated Cloth
Dust Dome Material	Solid Paper

### Mounting Information

Overall Diameter	79 mm
Baffle Cutout Diameter	73 mm
Mounting Holes	4 holes ø4,5 on ø84 mm
Total Depth	44.9 mm

(1) Rated Power measured with 2-hour test with pink noise signal, 6dB crest factor, loudspeaker in free air, power calculated on rated Zmin. (2) Power on Continuous Program is defined as 3dB greater than the Rated Power. (3) Calculated by Thiele & Small parameters, for SPL average in box refer to frequency response. (4) Thiele & Small parameters measured with laser system after preconditioning test. (5) Measured with respect to a THD of 10%. (6) Value corresponding to a decay of the Force Factor, or Compliance, or both, equal to the 50% of the small signal value. (7) Drawing dimensions: mm.