

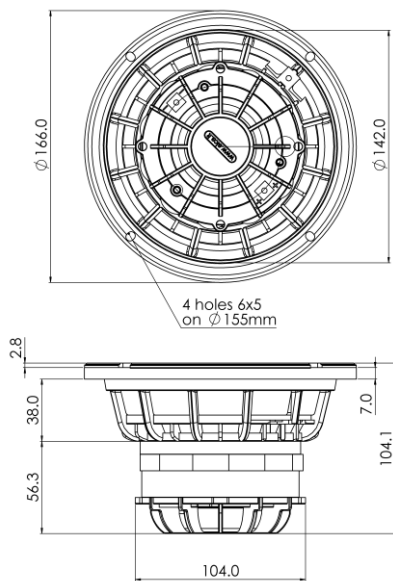
6 Cx 2 PL 8+8Ω

6" | 400 W

Code Z004091P-8+8

Coaxial

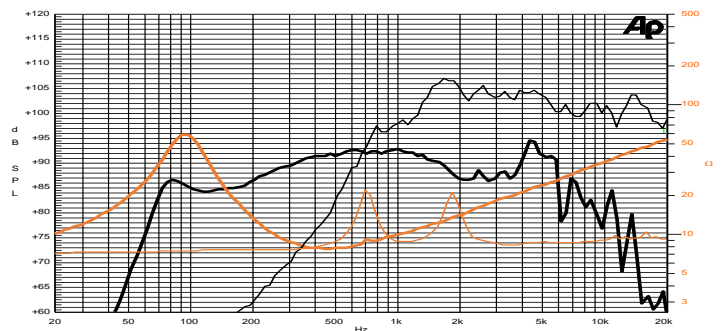
- SNDW** LF 2" voice coil Fiberglass former
- HF** Polyimide dome 1,7" voice coil Flat Aluminium wire
- DAR** Cloth surround with Double Asymmetric Rolls Technology (DAR)
- WpT** Waterproof Cone Treatment
- Neodymium Magnet Circuit**
- 100° nominal coverage**
- 94.2 dB sensitivity**
- Frequency Range 80-20000 Hz**



General Specifications	LF Unit	HF Unit
Nominal Diameter	166 mm (6")	
Nominal Impedance	8 Ω	8 Ω
Rated Power AES ⁽¹⁾	200 W	60 W
Continuous Program Power ⁽²⁾	400 W	120 W
Sensitivity @ 1W/1m ⁽³⁾	94.2 dB	102.7 dB
Voice Coil Diameter	50 mm (2 in)	44 mm (1.7 in)
Voice Coil Winding Depth	11 mm	2.6 mm
Magnetic Gap Depth	8 mm	3 mm
HF Recomm. Crossover Frequency	1.6 kHz	
Magnet Weight	308 g	
Net Weight	1.8 kg	

Thiele & Small Parameters ⁽⁴⁾

Re (LF)	6.0 Ω	Fs (LF)	85.0 Hz
Re (HF)	6.0 Ω	Fs (HF)	700 Hz
Qms	2.41	Qes	0.27
Qts	0.24	Mms	13.8 g
Cms	254 μm/N	Bxl	12.79 Tm
Vas	5.4 l	Sd	122.7 cm ²
X max ⁽⁵⁾	+/-3.5 mm	X var ⁽⁶⁾	+/-6.0 mm
η _o	1.19 %	Le (1kHz)	0.70 mH



Frequency Response on 18 Lt @ 70 Hz Vented Box @ 1W, 1m
Free Air Impedance

Constructive Characteristics

Magnet	Neodymium
Basket Material	Aluminium Die-Cast
LF Voice Coil Winding/Former Material	Copper / Fiberglass
HF Voice Coil Winding/Former Material	Aluminium Flat Wire / Kapton
LF Cone Material	Paper
HF Dome Material	Polyimide
Surround Material	Treated Cloth
HF Spare Part Code	Z009396P-FI

Mounting Information

Overall Diameter	166 mm
Baffle Cutout Diameter	143 mm
Mounting Holes	4 holes 5x6 on ø155 mm
Total Depth	104.1 mm

(1) Rated Power measured with 2-hour test with pink noise signal, 6dB crest factor, loudspeaker in free air, power calculated on rated Zmin. (2) Power on Continuous Program is defined as 3dB greater than the Rated Power. (3) Calculated by Thiele & Small parameters, for SPL average in box refer to frequency response. (4) Thiele & Small parameters measured with laser system after preconditioning test. (5) Measured with respect to a THD of 10%. (6) Value corresponding to a decay of the Force Factor, or Compliance, or both, equal to the 50% of the small signal value. (7) Drawing dimensions: mm.